



www.indcool.in



IDC HVLS FAN

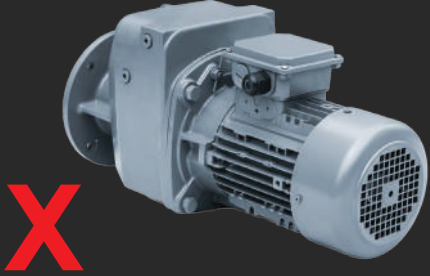

HIGH VOLUME LOW SPEED FAN



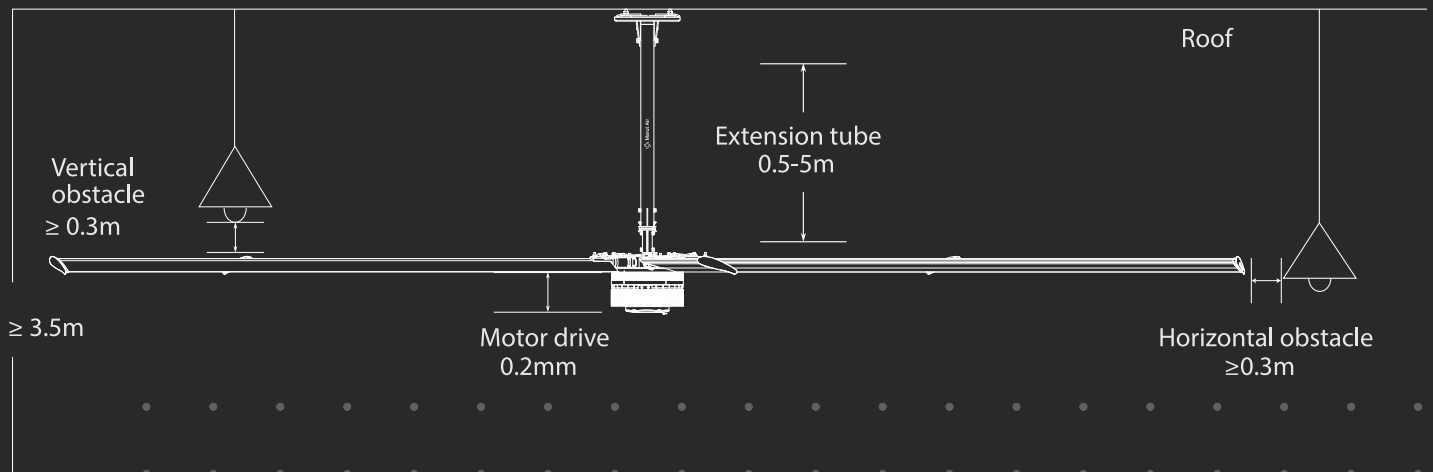
Made in India Made for Indians

Toll Free: 1800119515

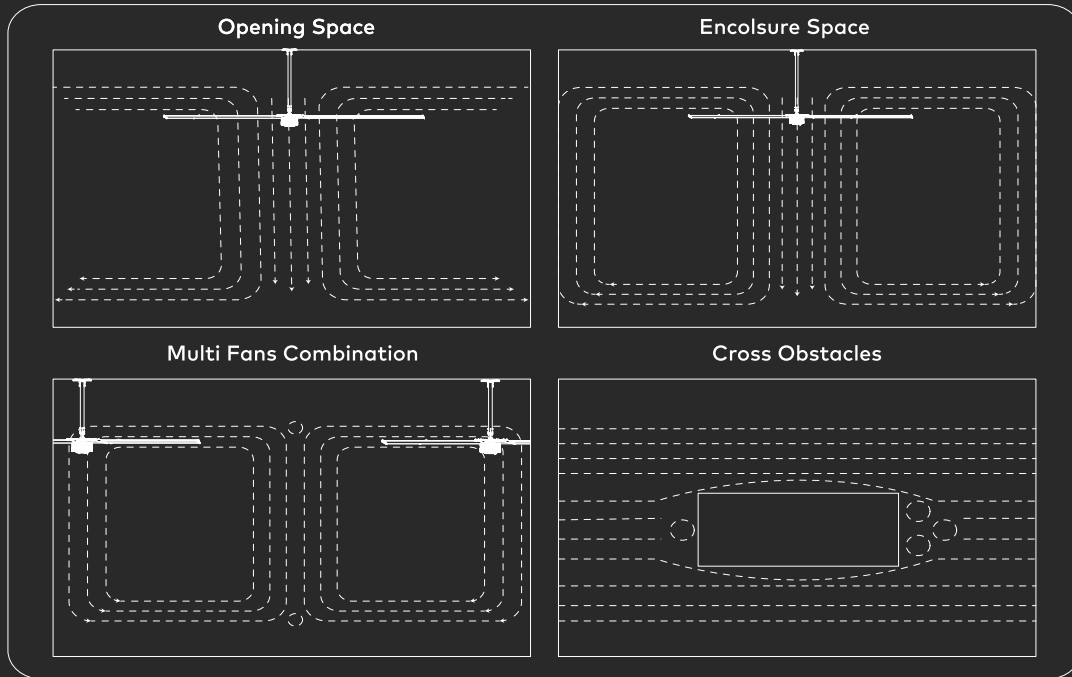
Advantages Of INDcool PMSM (HVLS) Fans

 <p>Conventional HVLS (Gearbox)</p>	 <p>INDcool HVLS (PMSM)</p>
Gear Reducer Type Motor	Direct Drive Servo Motor
Power consumption is too high	Less energy loss, Optimal performance, Highest power saving!
Less electricity savings	Modern engineering, Saves huge cost
Periodic Maintenance required for oil seal, gearbox oil	Simple design, No Maintenance
Made with Gear Reducer Type.	Made with rare earth Neodymium magnets (20X better life)

Installation Requirements



Function Introduction



One-of-a-kind Features of Generation-3 INDcool Fans

- **Dual Cooling System:** Air + Liquid cooling mechanisms to ensure longer lifespan.
- **Longer Lifespan:** Motors equipped with high-temperature resistive magnets & windings.
- **Maximum Temperature Threshold:** The temperature sensors are set to stop the fan at 130° C.
- **Thick Blades:** Significant thick blades compared to standard designs.
- **Fall Prevention Design:** Specifically designed to prevent falls or accidental drops.



INDcool HVLS PMSM Fan Technical Configuration

Model	Size (Dia)	Motor kW/HP	RPM	Air Volume (CMM)	Total Weight (Kg)	Coverage (SQ.M)	Frequency (Hz)	dBA*
IDC-3a-G3	3.0m(10ft)	0.37/0.5	0-115	4,000	50	250	50/60	38
IDC-3.7a-G3	3.7m(12ft)	0.37/0.5	0-100	5,000	56	380	50/60	38
IDC-4a-G3	4.9m(16ft)	0.75/1.0	0-70	10,000	69	600	50/60	38
IDC-5a-G3	5.5m(18ft)	1.1/1.5	0-70	11,000	111	900	50/60	38
IDC-6a-G3	6.1m(20ft)	1.1/1.5	0-60	11,500	113	1000	50/60	38
IDC-7a-G3	7.3m(24ft)	1.1/1.5	0-55	13,000	116	1500	50/60	38

*dBA - Fans sound are tested in lab condition actual result may vary due to environment condition and surface reflection.

Warranty - 1 year whole fan system warranty, Other specifications and models can be customized according to customer needs



Commercial Fans



Model	Diameter (m)	Air Volume (m ³ /min)	Speed (rpm)	Noise (dB)	Power (Kw)	Fan Weight (kg)	Coverage Area (m ²)
IDC-1d	1.8	2000	160	≤38	0.3	38	120
IDC-2d	2.4	2600	160	≤38	0.3	36	140
IDC-3d	3	3300	105	≤38	0.3	38	210

Applications

Efficient Air Circulation & Attractive Design makes **INDcool** Commercial Fans outstanding!



GYM



Hotel Reception



House



Indoor Sports



Restaurants & Cafe



Workshop

Distinctive Advantages

Attractive design.

Significant cost savings on HVAC expenses.

Noiseless operation.

Maintenance-free experience.

Perfect for spaces with a 10-foot ceiling height.



Made in India Made for Indians

Mkt. By.:

INDCOOL ELECTRICALS PVT. LTD.

Add:- B-10, Media Village, Palash Estate, Phase-4

GREATER NOIDA 201310 (U.P)

Website : www.indcool.in ,E-mail : careindcool@gmail.com,info@indcool.in

Customer care : 9213945441, 01204977980

Toll Free: 1800119515

Dealers & Distributors